



**MF90 Series Portable
Filtration Systems
Installation & Operation Manual**

**MF90-80, -80LP & -110 Models
"U" & "AU" CONFIGURATIONS**

**PARTS LIST
INCLUDED**

Dean[®]



Dean, a member of the Commercial Food Equipment Service Association, recommends using CFESA Certified Technicians.

**24-Hour Service Hotline 1-800-
551-8633**

12/2017



Please read all sections of this manual and retain for future reference.

Installation, maintenance, and repairs should be performed by your Frymaster/Dean Factory Authorized Servicer.

 **WARNING**

Safe and satisfactory operation of your equipment depends on its proper installation. Installation **MUST** conform to local codes, or in the absence of local codes, with the latest edition of the National Electric Code, N.F.P.A. 70.

 **WARNING**

ELECTRICAL GROUNDING INSTRUCTIONS

This filter is equipped with a three-prong, grounded plug for your protection against shock hazard and should be plugged directly into a properly grounded, three-hole receptacle. Do not cut off, remove or otherwise bypass the grounding prong on this plug.

If it is necessary to use an extension cord, it **MUST** be a three-conductor, grounded cord of 16 gauge or greater.

 **WARNING**

This appliance is not intended for use by children under the age of 16 or persons with reduced physical, sensory or mental capabilities, or lack of experience and knowledge, unless they have been given supervision concerning use of the appliance by a person responsible for their safety. Do not allow children to play with this appliance.

 **WARNING**

Use caution and wear appropriate safety equipment to avoid contact with hot oil or surfaces that may cause severe burns or injury.

 **DANGER**

Do not filter more than one fry tank at a time.

Hot fluid – Do not fill above a point 1-½ inches below the OIL CONTAINER RIM.

 **WARNING**

This filter unit is not suitable for outdoor use. When operating this unit, it **MUST** be placed on a horizontal surface.

 **WARNING**

This filter unit is not suitable for installation in an area where a water jet can be used, and this appliance **MUST NOT** be cleaned with a water jet.

NOTICE:

If this filter unit is cleaned with water, disconnect the unit from power source before cleaning and thoroughly dry the filter unit before reconnecting to electrical power source.

 **DANGER**

The crumb tray (if equipped) in portable filter systems must be emptied into a fireproof container at the end of frying operations each day. Some food particles can spontaneously combust if left soaking in certain shortening material.

NOTICE:

Drawings and photos used in this manual are intended to illustrate operational, cleaning and technical procedures and may not conform to on-site management operational procedures.

NOTICE

IF, DURING THE WARRANTY PERIOD, THE CUSTOMER USES A PART FOR THIS DEAN EQUIPMENT OTHER THAN AN UNMODIFIED NEW OR RECYCLED PART PURCHASED DIRECTLY FROM FRYMASTER DEAN, OR ANY OF ITS AUTHORIZED SERVICE CENTERS, AND/OR THE PART BEING USED IS MODIFIED FROM ITS ORIGINAL CONFIGURATION, THIS WARRANTY WILL BE VOID. FURTHER, FRYMASTER DEAN AND ITS AFFILIATES WILL NOT BE LIABLE FOR ANY CLAIMS, DAMAGES OR EXPENSES INCURRED BY THE CUSTOMER WHICH ARISE DIRECTLY OR INDIRECTLY, IN WHOLE OR IN PART, DUE TO THE INSTALLATION OF ANY MODIFIED PART AND/OR PART RECEIVED FROM AN UNAUTHORIZED SERVICE CENTER.

Dean®

MF90 Series Portable Filtration Systems

TABLE OF CONTENTS

	PAGE #
1. INTRODUCTION.....	1-1
1.1 Parts Ordering/Service Information.....	1-1
1.2 Service Information.....	1-1
1.3 After Purchase.....	1-2
1.4 Safety Information.....	1-2
1.5 Service Personnel.....	1-3
1.5.1 Definitions.....	1-3
2. IMPORTANT INFORMATION.....	2-1
2.1 General.....	2-1
2.2 Rating Plate.....	2-2
2.3 Pre-Installation.....	2-2
2.4 Unpacking the Filter System.....	2-3
3. FILTER PREPARATION.....	3-1
3.1 Assembling the Filter System.....	3-1
3.1.1 Filter Paper Configuration.....	3-1
4. FILTER OPERATION.....	4-1
4.1 General.....	4-1
4.2 Filtering Tools.....	4-2
4.3 Filtering Preparation.....	4-2
4.4 Changing Filter Paper.....	4-2
4.5 Filter Leaf Operation.....	4-6
4.6 Unit Operation.....	4-8
5. PREVENTATIVE MAINTENANCE.....	5-1
5.1 General.....	5-1
5.2 Each Filter Use.....	5-2
5.3 Daily- Close of Business.....	5-2
5.4 Weekly.....	6-1
6. TROUBLESHOOTING.....	6-1
6.1 Operating Problems.....	6-1
6.2 General Troubleshooting.....	6-3
6.3 Wiring Diagrams.....	6-3
6.3.1 MF90U 120V Wiring.....	6-3
6.3.2 MF90U 230V Wiring.....	6-4
6.3.3 MF90AU 120V Wiring.....	6-5
6.3.4 MF90AU 230V Wiring.....	7-1
7. PARTS LIST.....	7-1
7.1 Main Components.....	7-4
7.2 Plumbing, Oil-Return Components and Accessories.....	7-4

MF90 SERIES PORTABLE FILTRATION SYSTEMS

CHAPTER 1: INTRODUCTION

1.1 Parts Ordering/Service Information

Place parts orders directly with your local Frymaster/Dean Authorized Servicer. A list of FAS's is located on the Frymaster/Dean website at www.frymaster.com. If you do not have access to this list, please contact the Frymaster/Dean service department at 1-800-551-8633 or 1 318-865-1711.

To help speed your order, the following information is required:

Model Number		Type	
Serial Number			
Optional Features			
Item Part Number		Quantity Needed	

1.2 Service Information

Call the 1-800-551-8633 or (318) 865-1711 Service Hotline number for the location of your nearest Authorized Servicer. Always give the model and serial numbers of your filter unit. Also, identify if your unit is supplied with or without a heater.

To assist you more efficiently, the following information will be needed:

Model Number		Type	
Serial Number			
Optional Features			
Nature of Problem:			

Additional information (i.e. oil temperature at filter time, time of day and other pertinent information) may be helpful in solving your service problem.

MF90 SERIES PORTABLE FILTRATION SYSTEMS

CHAPTER 1: INTRODUCTION

1.3 After Purchase

In order to improve service, have the following chart filled in by the Dean Factory Authorized Servicer who installed this equipment.

Authorized Service Technician/FAS	
Address	
Telephone/Fax	
Model Number	
Serial Number	

1.4 Safety Information

Before attempting to operate your unit, read the instructions in this manual thoroughly.

Throughout this manual, you will find notations enclosed in double-bordered boxes similar to the ones below.

 **CAUTION**

CAUTION boxes contain information about actions or conditions that *may cause or result in a malfunction of your system.*

 **WARNING**

WARNING boxes contain information about actions or conditions that *may cause or result in damage to your system,* and which may cause your system to malfunction.

 **DANGER**

DANGER boxes contain information about actions or conditions that *may cause or result in injury to personnel,* and which may cause damage to your system and/or cause your system to malfunction.

MF90 SERIES PORTABLE FILTRATION SYSTEMS
CHAPTER 1: INTRODUCTION

1.5 Service Personnel

1.5.1 Definitions

A. Qualified and/or Authorized Operating Personnel

1. Qualified/authorized operating personnel are those who have carefully read the information in this manual and have familiarized themselves with the equipment functions, or have had previous experience with the operation of equipment covered in this manual.

B. Qualified Installation Personnel

1. Qualified installation personnel are individuals, or firms, corporations, or companies that, either in person or through a representative, are engaged in and are responsible for the installation of electrical appliances. Qualified personnel must be experienced in such work, be familiar with all electrical precautions involved, and have complied with all requirements of applicable national and local codes.

C. Qualified Service Personnel

Qualified service personnel are those who are familiar with Dean equipment and have been authorized by Dean to perform service on Dean equipment. All authorized service personnel are required to be equipped with a complete set of service parts manuals and stock a minimum amount of parts for Dean equipment. A list of Dean Factory Authorized Servicer (FAS's) is located on the Frymaster website at www.frymaster.com. *Failure to use qualified service personnel will void the Dean warranty on your equipment.*

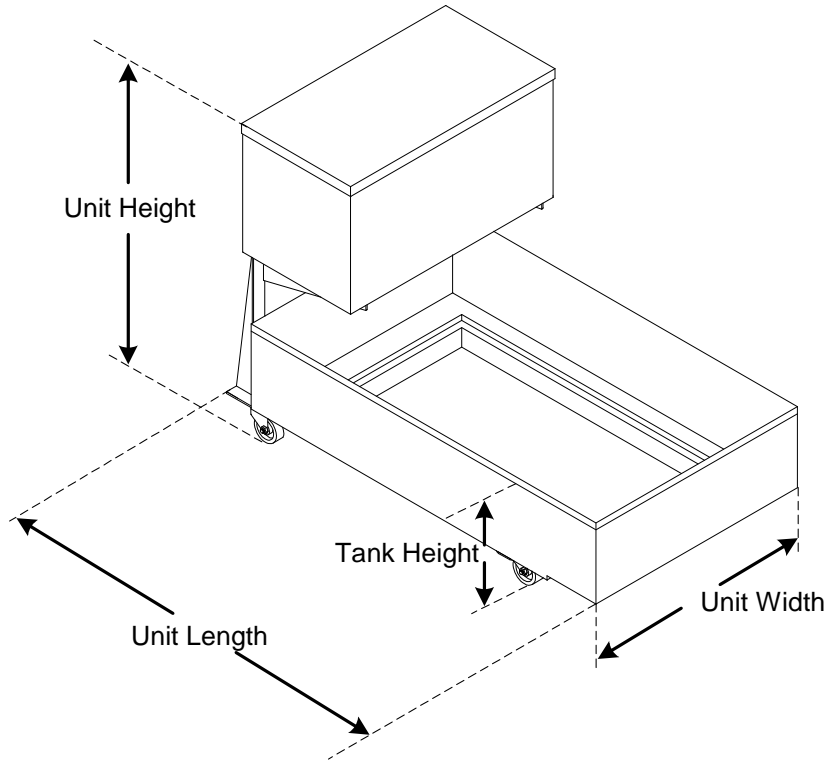
MF90 SERIES PORTABLE FILTRATION SYSTEMS

CHAPTER 2: IMPORTANT INFORMATION

2.1 General

MF-90 portable filters can be used with a variety of Dean fryers, as well as other manufacturers' equipment. Oil capacity ranges from 80 to 110 pounds of oil, depending on the model. Unit length, width, height and tank height dimensions for all units are listed in the table below.

Model	Unit Height (inches)	Unit Width (inches)	Unit Length (inches)	Tank Height (inches)	Oil Capacity (pounds)
MF-90/80	24	17 ³ / ₄	24 ³ / ₄	10 ³ / ₄	80
MF-90/80 LP	24	18	33 ¹ / ₂	9	105
MF-90/110	26 ¹ / ₄	17 ³ / ₄	24 ³ / ₄	12 ³ / ₄	110



MF90 Series filter unit dimensions (unit and tank heights are measured from bottom of casters to top of unit and tank, respectively).

MF90 SERIES PORTABLE FILTRATION SYSTEMS

CHAPTER 2: IMPORTANT INFORMATION

2.1 General (cont.)

The used oil may be drained by gravity from the fryer into the filter pan (MF90 "U" models), or removed from the fryer by use of a suction/return hose (MF90 "AU" models). On "AU" models, the oil is pumped back into the frypot using the same suction/return hose.

Oil or shortening is filtered through filter paper. Filter powder, which enhances the filtering process, is distributed over the paper prior to filtering.

All units are shipped completely assembled with accessories packed inside the filter pan. All units are adjusted, tested and inspected at the factory before shipment.

WARNING

The on-site supervisor is responsible for ensuring that operators are made aware of the inherent dangers of operating a hot oil filter system, particularly the aspects of oil filtration, and draining/cleaning procedures.

A 7-amp (115V-domestic) or 5-amp (230V-international) circuit breaker installed on the filter unit switches the power OFF if an overload occurs.

NOTE: If the circuit breaker is triggered, depress the reset button to activate the circuit after the failure has been detected and repaired.

2.2 Rating Plate

Information on the rating plate includes model and serial numbers, as well as electrical requirements. The rating plate is located on the back housing, near the electrical receptacle. Have the rating plate information handy when communicating with the factory about a unit or requesting special parts or information. Without this information, proper identification of the unit cannot be confirmed.

2.3 Pre-Installation

NOTE: Failure to use qualified service personnel will void the Dean warranty.

- A. Standards: Use of this filter unit must be in accordance with all applicable state and local codes.
- B. Electrical Connections: Domestic MF90 filter units require a 115V 60 Hz., 15 amp electrical supply. International/CE units require 230V 50 Hz., 7 amp electrical supply. Units are equipped with a grounded male receptacle for use with a 16-3 SJT power cord set. If an extension cord is required, it must be a three-conductor, grounded power cord of at least 16 gauge.

MF90 SERIES PORTABLE FILTRATION SYSTEMS
CHAPTER 2: IMPORTANT INFORMATION

2.4 Unpacking the Filter System

Ensure the container is upright. Unpack the filter carefully and remove all accessories from the carton. Do not discard or misplace parts and/or accessories; they will be needed for filter setup and operation. Any accessories or starter kits included with the unit will be packaged inside the filter tank.

After unpacking, immediately check the equipment for visible signs of shipping damage. If such damage has occurred, contact the carrier and file the appropriate freight claims. Do not contact the factory, as the responsibility of shipping damage is between the carrier and dealer or end-user.

If your equipment arrives damaged:

- a. File claim for damages immediately – Regardless of extent of damage.
- b. Visible loss or damage – Be sure this is noted on the freight bill or express receipt and is signed by the person making the delivery.
- c. Concealed loss or damage – If damage is unnoticed until equipment is unpacked, notify freight company or carrier immediately, and file a concealed damage claim. This should be done within 15 days of date of delivery. Retain the shipping container for inspection.

NOTE: Dean does not assume responsibility for damage or loss incurred in transit.

MF90 SERIES PORTABLE FILTRATION SYSTEMS

CHAPTER 3: FILTER PREPARATION

3.1 Assembling The Filter System

On initial installation and before each use, remove all loose parts from the filter, wash the filter pan and all accessories in hot, soapy water and dry thoroughly.

⚠ WARNING!

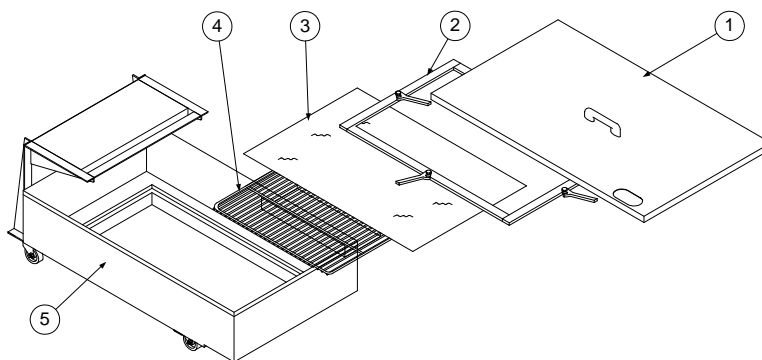
Water or boil-out solution MUST not be allowed to drain into the filter pan or filter system. Irreversible damage will result if water is allowed into the system, and the warranty will be voided.

The MF90 portable filtration system uses a filter support grid, one sheet of filter paper and a hold-down ring to secure the filter paper in place.

3.1.1 Filter Paper Configuration

See illustration for proper assembly.

1. Filter Pan Cover
2. Hold-Down Ring
3. Filter Paper (one sheet)
4. Screen/Support Grid
5. Filter Pan Assembly



- A. First, place the support grid in the bottom of filter pan.
- B. Place one sheet of filter paper on top of the support grid. Be sure the paper covers the whole filter pan bottom.
- C. Position the hold-down ring on top of the filter paper and latch the hold-down ring and filter paper securely against the filter pan bottom, forming a tight seal.
- D. Sprinkle 8 ounces of filter powder over the filter paper, distributing the powder as evenly as possible. If filtering a second frypot immediately after the first, add only 4 ounces of filter powder for the second filtering.
- E. Place the crumb catcher screen (if applicable) in the filter pan. Allow the crumb catcher screen to rest on the top edges of the hold-down ring.
- F. Place filter pan cover onto the filter pan assembly.

MF90 SERIES PORTABLE FILTRATION SYSTEMS
CHAPTER 3: FILTER PREPARATION

3.1.1 Filter Paper Configuration (cont.)

- G. Position filter under the fryer drainpipe for gravity drain operations, or nearby the fryer for suction operations ("AU" models only). Lock rear casters to prevent filter from moving out of position during the filtering process.



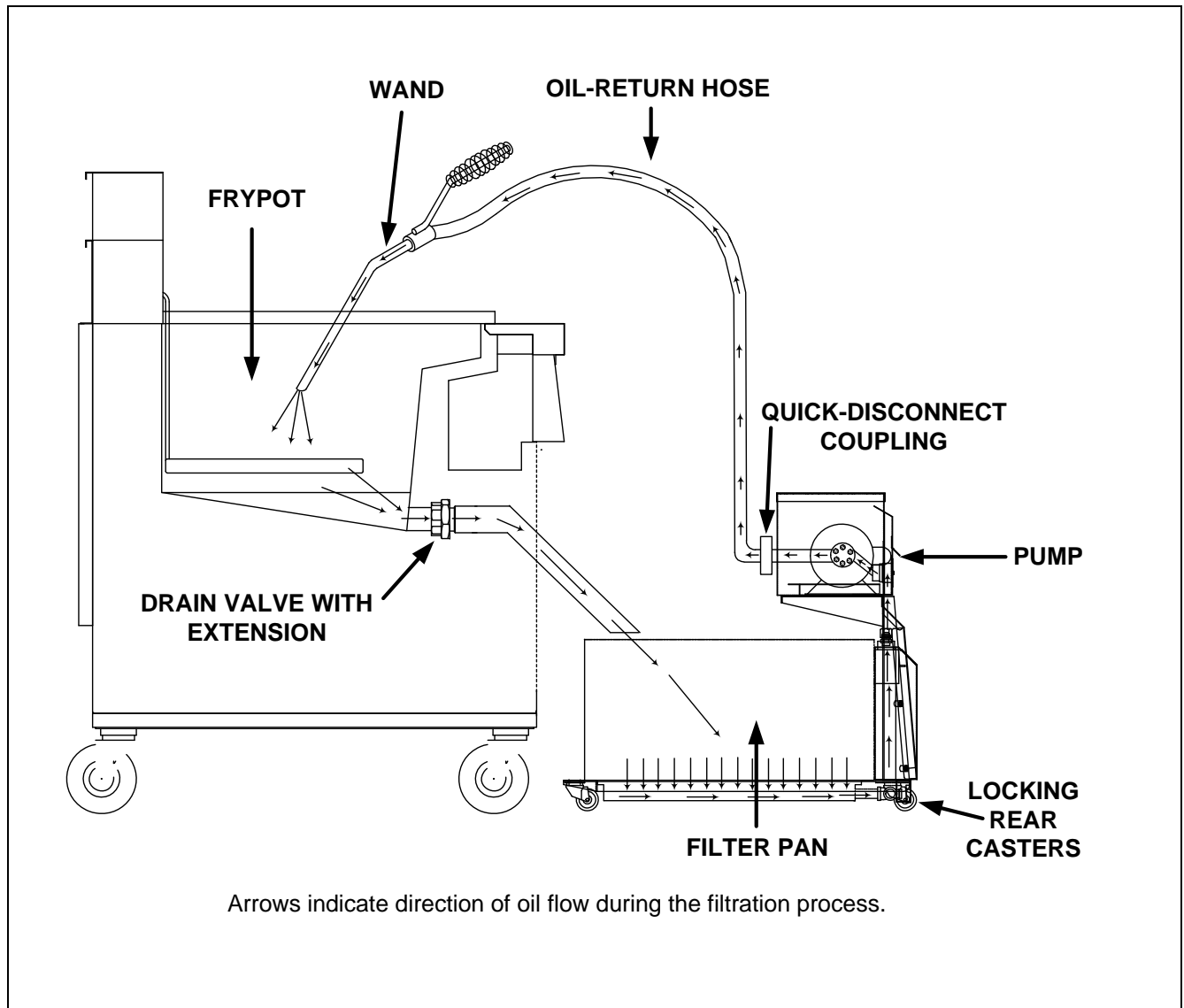
MF-90 portable filter (Low Profile shown) positioned correctly next to fryer drain valve, with rear casters locked in place.

MF90 SERIES PORTABLE FILTRATION SYSTEMS

CHAPTER 4: FILTER OPERATION

4.1 General

The Dean Portable Filters are designed to operate as an independent filter unit. Operations always start by ensuring the unit is properly plugged in, then rolling the filter to the fryer to be filtered. The filter will work directly under the fryers' drain valves, or close to the fryer ("AU" suction models only). The general layout of a MF90 "U" Series Portable Filter System with major components identified is illustrated below.



MF90 SERIES PORTABLE FILTRATION SYSTEMS

CHAPTER 4: FILTER OPERATION

4.2 Filtering Tools

These tools are not required, but are recommended to make the filtering task easier.

- A. Measuring Cup: Used to measure eight ounces by volume of filter powder.
- B. Scrub Brush: To clean sediment and residue from the filter pan and frypot.
- C. Appropriate Clothing.

4.3 Filter Preparation

1. Position the MF-90 filter next to the fryer. Remove filter pan lid and position filter unit under frypot drain-valve extension ("U" units) or nearby the fryer ("AU" units).
2. Ensure the filter power switch is in "OFF" position prior to connecting to power supply.
3. Plug power cord into electrical outlet. The filter unit is ready for filtering. After filtering, follow instructions in Section 4.4, Changing Filter Paper or 4.5 Use With Filter Leaf.

DANGER

The crumb tray (if equipped) in portable filter systems must be emptied into a fireproof container at the end of frying operations each day. Some food particles can spontaneously combust if left soaking in certain shortening material.

4.4 Changing Filter Paper

Filter paper should be replaced after each filter session, and most certainly at the beginning of each workday. If filter paper is replaced once per day, excess sediment should be scraped from the filter paper after each frypot is filtered (see photo). Use care not to tear the paper when scraping off sediment. Filter at closing if possible. This ensures the oil/shortening is at proper filtering temperature.

Note: If filtering at closing, remove and discard the used filter paper in a fire-proof container when filter operations are complete. Wash all components in soapy water and dry completely.



If filtering more than one frypot with the same filter paper, scrape excess sediment from the filter paper after each filtering.

MF90 SERIES PORTABLE FILTRATION SYSTEMS
CHAPTER 4: FILTER OPERATION

4.4 Changing Filter Paper (cont.)

Remove and replace the paper as follows:

1. Remove filter cover. Place the hose wand in the wand holster, located on the left side of the pan (arrow).
2. Open the locking latches of the hold-down ring and lift the ring out of the filter tank.



Removing hold-down ring. Note location of wand holster (arrow).

3. Roll both ends of the filter paper into the center, ensuring no sediment falls out, and discard.



Removing dirty filter paper from pan.

MF90 SERIES PORTABLE FILTRATION SYSTEMS
CHAPTER 4: FILTER OPERATION

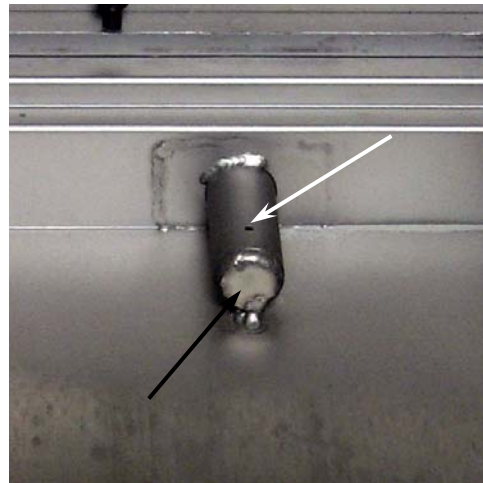
4.4 Changing Filter Paper (cont.)

4. Remove and check the filter paper support screen for cleanliness and clean if necessary.



Removing paper support screen from pan.

5. Check the filter-pan for cleanliness and clean if necessary; check the drain ports at the bottom rear of the filter pan and clear any solidified shortening from the opening. Also ensure vent hole on top of tube is clear of shortening and/or debris (white arrow).



Solidified shortening can build-up in the nipple-pipe assembly.

6. Replace the filter paper support screen and place a new sheet of filter paper on top of the screen.



Placing new sheet of filter paper over paper support screen.

MF90 SERIES PORTABLE FILTRATION SYSTEMS
CHAPTER 4: FILTER OPERATION

4.4 Changing Filter Paper (cont.)

7. Replace the hold-down ring and secure by locking latches in place.



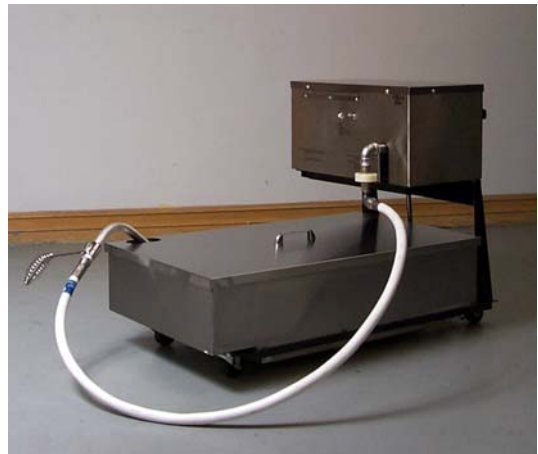
Secure the hold-down ring latches to lock filter paper in place.

8. Measure 8 ounces of filter powder and distribute evenly over the paper surface.



Evenly distribute 8 ounces of filter powder over the filter paper surface.

9. Replace filter pan cover. The filter is ready for operation.



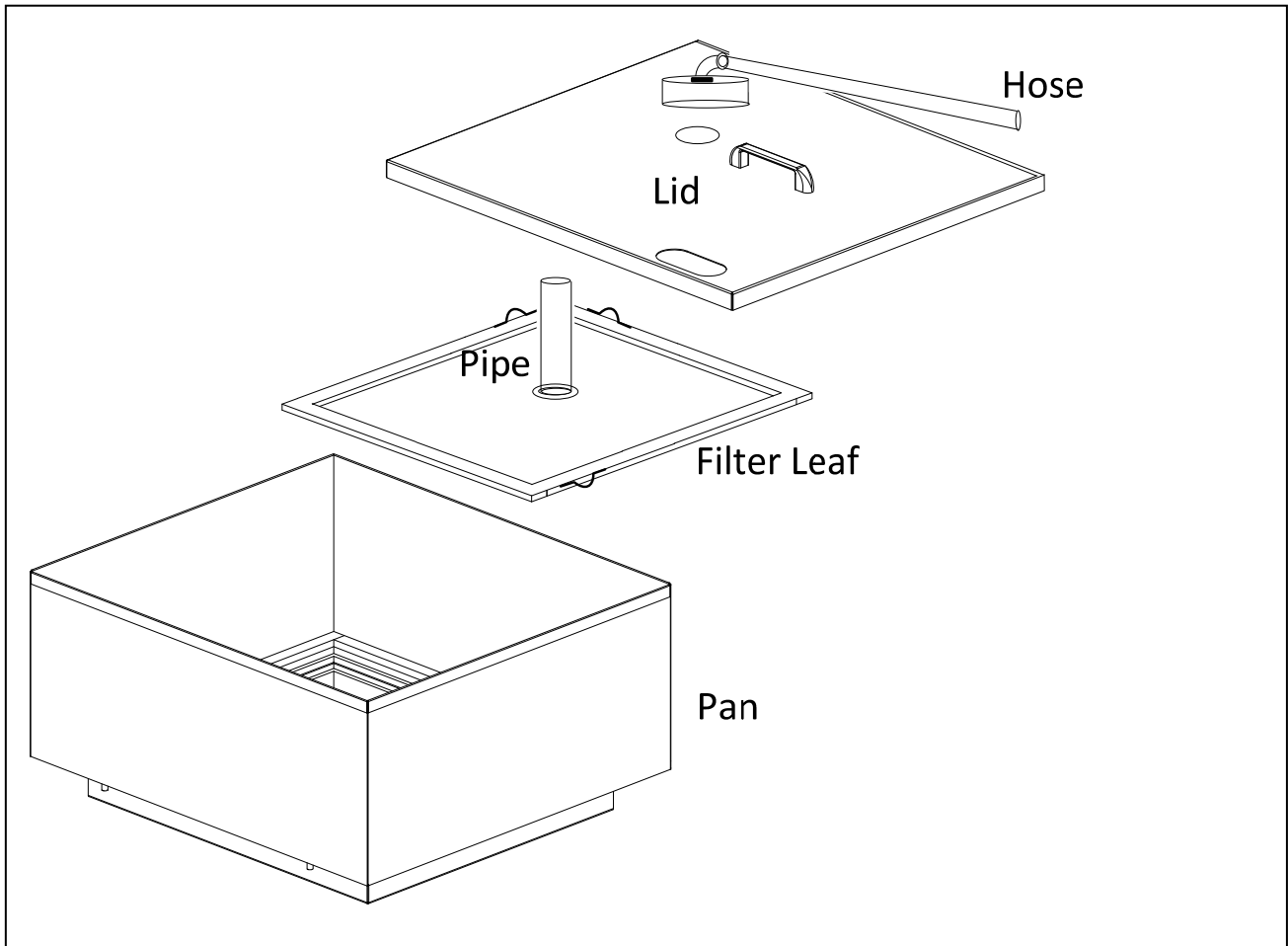
Filter unit ready for filtering operations.

MF90 SERIES PORTABLE FILTRATION SYSTEMS
CHAPTER 4: FILTER OPERATION

4.5 Use With Filter Leaf

MF90 systems incorporating a filter-leaf assembly use a fine mesh screen to filter impurities and debris from the oil. The oil is pumped through the screen and then returned to the frypot. The advantages of the filter-leaf include unlimited re-use and the elimination of paper cost.

Filter pans with filter-leaf assemblies are assembled as illustrated below:



1. Remove the filter pan lid.
2. Place the filter leaf in the bottom of the pan.
3. Apply the manufacturer's recommended amount of filter powder.
4. Replace the lid, ensuring the pipe from the filter leaf extends above the pan lid.
5. Attach the vacuum hose from the pump assembly to the filter leaf pipe extension.

MF90 SERIES PORTABLE FILTRATION SYSTEMS CHAPTER 4: FILTER OPERATION

CLEANING THE FILTER-LEAF ASSEMBLY

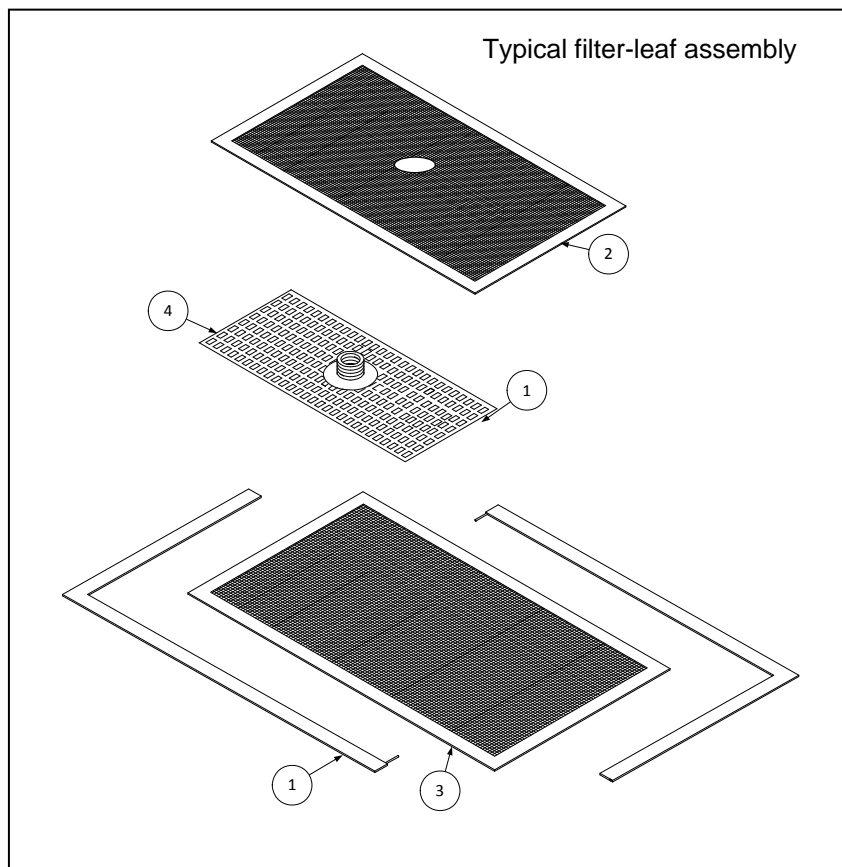
Filters equipped with a filter-leaf require specific cleaning and assembly procedures. In the absence of cleaning and disassembly/reassembly instructions shipped with the filter-leaf, use the following procedure (see illustration below):

Grasp the seal frame near each corner at the locking tab (①) and pull frame apart. The seal frame will separate into two pieces. Separate the top and bottom screens (② and ③) and remove the grid (④). Assemble in reverse order (see illustration below).

Clean the two seal frame pieces, screens and grid using a good quality degreaser and hot water from a spray nozzle. The groove in the seal frame pieces can be cleaned with the edge of a Scotch-Brite™ type cleaning pad.

At each scheduled fryer boil-out, disassemble the filter-leaf and place in the frypot filled with boil-out solution (where applicable). Follow the boil-out procedure in the Installation and Operation manual included with the fryer. After boil out is complete, place the filter-leaf in a vinegar solution (1 pint vinegar to 1/2 gallon water) to neutralize boil-out residue. Rinse the filter-leaf in clean water to rinse away vinegar residue.

Allow all filter-leaf components to air dry or thoroughly dry with paper towels.



MF90 SERIES PORTABLE FILTRATION SYSTEMS CHAPTER 4: FILTER OPERATION

4.6 Unit Operation

Follow the appropriate Sections 4.3 and 4.4, 4.5 to prepare the filter unit for operation and follow these steps:

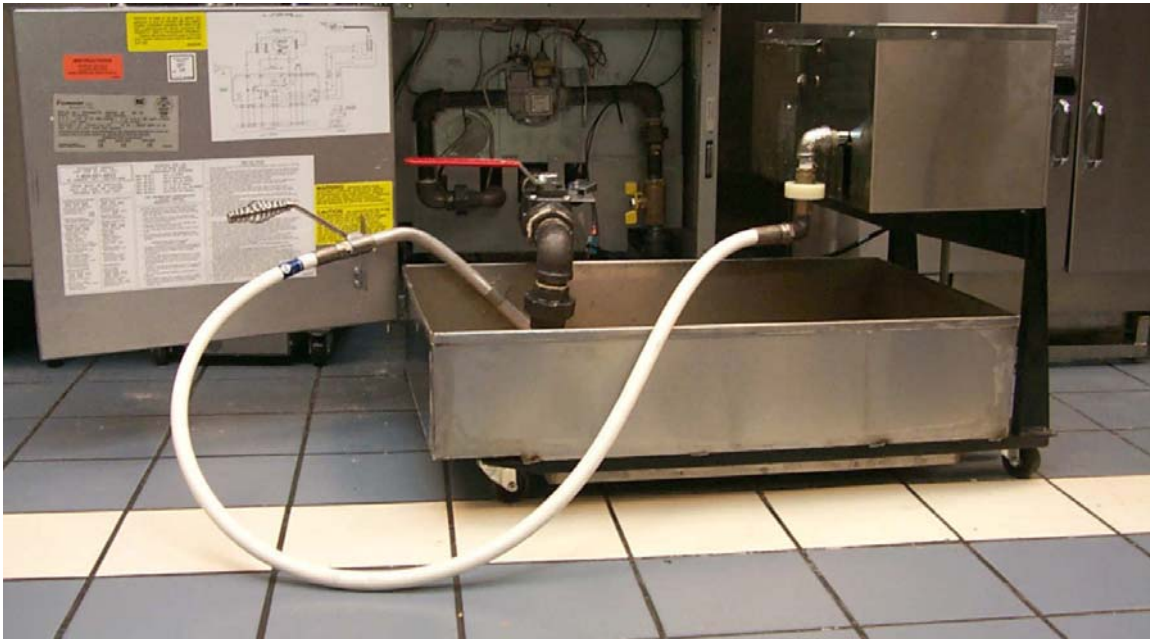
1. Position the filter unit under the fryer drain valve extension for gravity drain, or near the fryer for "suction" operations if the unit is an "AU" unit. On "AU" units, ensure the wand filter screen is screwed securely onto the wand end, prior to pumping oil/shortening out of fryer.
2. Turn the fryer main power switch to the "OFF" position.

⚠ DANGER

Do not leave filter unit unattended during the filtering operation. Pressurized oil moving through the lines can cause the flexible return hose and wand assembly to pop loose and spray hot oil.

Avoid spilling hot oil onto floor surfaces. When draining fryer into filter, never exceed the maximum capacity of the filter pan.

3. Open the fryer door and ensure the filter is in the proper position under the fryer drain valve extension ("U" units- see photo below), or close to the fryer ("AU" units). Lock rear casters to prevent filter movement during the filtering process.



MF90 SERIES PORTABLE FILTRATION SYSTEMS

CHAPTER 4: FILTER OPERATION

4.6 Unit Operation (cont.)

⚠ DANGER

The oil temperature of the frypot to be filtered should be approximately 350°F (175°C). Position drain handles properly prior to operating the filter unit. Failure to do this can result in burn injury to the user.

4. Open the drain-valve and allow the frypot oil to drain into the filter pan.

Note: When using "AU" units for suction operation, insert the wand with filter screen attached into the frypot, then place the switch in the "IN" position. After all oil has been pumped from the frypot, insert the wand end into the wand holster. Ensure the wand is placed securely in the holster, then place the switch in the "OUT" position to circulate and filter the oil.



Frypot draining into filter pan. Ensure oil is at operating temperature before opening drain valve.

5. With the oil return wand in frypot, turn filter switch "ON" to begin pumping clean oil into the fryer. Allow the oil to recycle through the fryer for a few seconds to wash out sediment on the bottom of the frypot before closing the drain valve. When using "AU" units for suction operation, place the switch in the "OUT" position to return oil to the frypot. If the frypot is drained by the suction method, all sediment must be wiped out by hand prior to returning filtered oil to the frypot.



Use the nozzle to rinse sediment and debris from the frypot during the filtering process ("U" units only).

Note: All units- The oil return wand can also be mounted in the wand holster inside the pan, for extended filtering periods (polishing) prior to refilling frypot. NEVER LEAVE THE FILTER SYSTEM UNATTENDED WHILE FILTERING!

MF90 SERIES PORTABLE FILTRATION SYSTEMS
CHAPTER 4: FILTER OPERATION

4.5 Unit Operation (cont.)

6. When filtering is complete, close the drain valve handle. It takes approximately 5 to 7 minutes for the filter to pump all the oil back into the fryer. For "AU" units, pump the oil into the frypot after all sediment has been removed and the drain valve is closed.



7. Allow the pump to run for 10-15 seconds after air starts to flow through the wand, before shutting off the filter. Clearing residual shortening/oil from the return lines reduces the likelihood of clogged lines.



NOTE: *After filtering, scrape off debris and sediment accumulated on the filter paper and discard into a fire-proof container.*

⚠ CAUTION

If using solid shortening, the return hose must be completely drained after filtering, or the shortening will solidify and plug the hose or oil return lines as it cools.

NOTE: *If filtration operations problems are encountered during use, please refer to Chapter 6 in this manual.*

MF90 SERIES PORTABLE FILTRATION SYSTEMS

CHAPTER 5: PREVENTATIVE MAINTENANCE

5.1 General

Cleaning operations fall into three general categories:

- Wiping unit clean after each filter session;
- Cleaning, changing filter paper and preparing the unit for the next day's business.
- Weekly cleaning to remove oil deposits and other particles that were previously missed.

 **WARNING**

Do not use water jets to clean this equipment. To do so will damage the unit and void the warranty.

 **WARNING**

Never operate the filter unit unless cooking oil is at operating temperature.

5.2 Each Filter Use

Each time the MF90 filter is used:

- Wash down the insides of the filter pan with hot oil.
- Change filter paper after each filter session or at the end of the day. Scrape sediment from filter paper after each frypot is filtered within a filter session.
- Wipe up any oil which may have splashed or spilled.
- Wipe all exterior surfaces of the filter unit.

 **WARNING**

Do not run water or boil-out solution through the portable filter. Doing so will cause irreparable damage to the pump, and void the warranty.

MF90 SERIES PORTABLE FILTRATION SYSTEMS
CHAPTER 5: PREVENTATIVE MAINTENANCE

5.3 Daily- Close Of Business

At the close of a working day, filter the oil in all fryers. When the last fryer is finished, follow these steps:

1. Ensure the flexible hose and pump lines are clear by running the filter pump for an additional 10–15 seconds after air bubbles start coming from the oil return line. Then drain the flexible hose.
2. Remove the filter pan cover and hold-down ring assembly, then remove the filter paper and filter paper support screen.
3. Discard filter paper.
4. Wash all filter components with soapy water and rinse.
5. Dry all filter parts and filter pan thoroughly before reassembling.
6. Check all fittings at the rear of the filter unit; ensure that all fittings are properly tightened and no leaks are present.

 **DANGER**

The crumb tray (if applicable) in portable filter systems must be emptied into a fireproof container at the end of frying operations each day. Some food particles can spontaneously combust if left soaking in certain shortening material.

5.4 Weekly

Follow the same procedure as for "Daily", with these additional steps:

- Wash the filter pan with hot, soapy water and a suitable brush. Dry and reassemble with new filter paper (1 sheet).
- Clean thoroughly under, around, and behind the fryers and filtering area.
- Do not operate motor/pump until all traces of water have been removed from the pan. Under no circumstances should water or boil-out solution be allowed to enter the pump housing.
- Check the connections of the inlet lines and tighten if lines become loose or start to leak oil.

MF90 SERIES PORTABLE FILTRATION SYSTEMS

CHAPTER 6: TROUBLESHOOTING

6.1 Operating Problems

Plugged lines and plugged filter paper account for over 90 percent of filtration system malfunctions. Troubleshooting flowcharts included in this chapter, provide step-by-step instructions to assist the operator in diagnosing common malfunctions.

A. Plugged Lines

1. To guard against plugged lines when using solid shortening, follow these guidelines:
 - a. At the end of the filtering cycle, let the filter bubble into the fryer through the flexible hose for about 10-15 seconds. If it is blowing bubbles, air is moving through the lines and the filter is less likely to be plugged.
 - b. When filtering is complete, disconnect the flexible line and hang it up to drain.

B. Plugged Paper

Improper use of the filter powder will cause a slow oil flow return rate. The first indication of paper plugging is a surging, jerking movement of the hose. To correct this, review the instructions for the correct use of filter powder, and change the filter paper more frequently. When filtering several fryers prior to changing paper, ensure that excess sediment is scraped off the filter paper after filtering each frypot. If plugged paper remains a problem, review the chart in section 6.2 for proper diagnosis.

6.2 General Troubleshooting

The following chart contains information to assist the user in diagnosing the most common malfunctions with portable filtration systems. Possible solutions and/or corrective actions are given for each scenario.

If the malfunction cannot be diagnosed using the information in this section, contact your Factory Authorized Servicer for repairs.



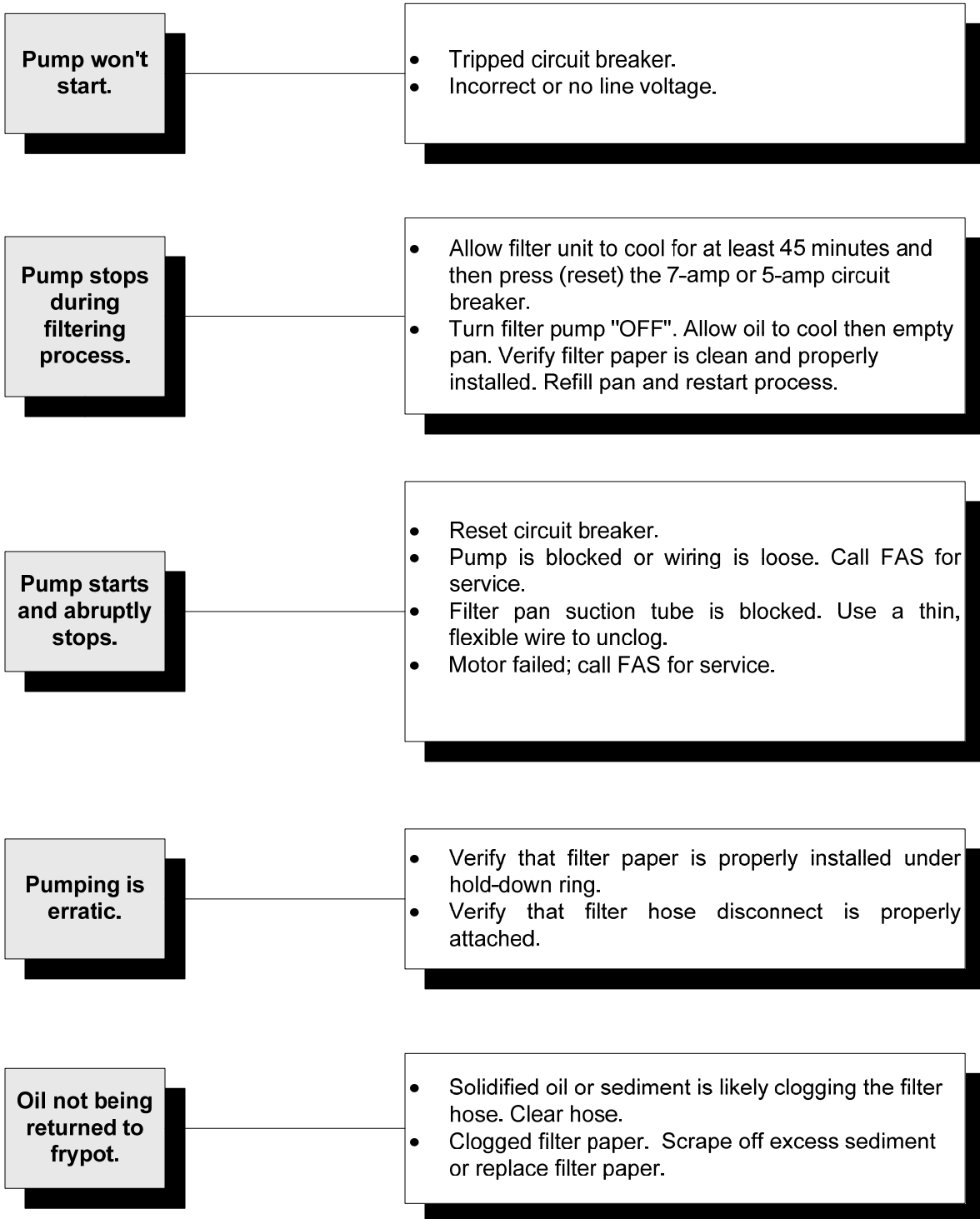
Use extreme care when testing electrical circuits. Live circuits will be exposed.



Inspection, testing and repair of gas or electrical equipment should be performed by qualified personnel.

MF90 SERIES PORTABLE FILTRATION SYSTEMS
CHAPTER 6: TROUBLESHOOTING

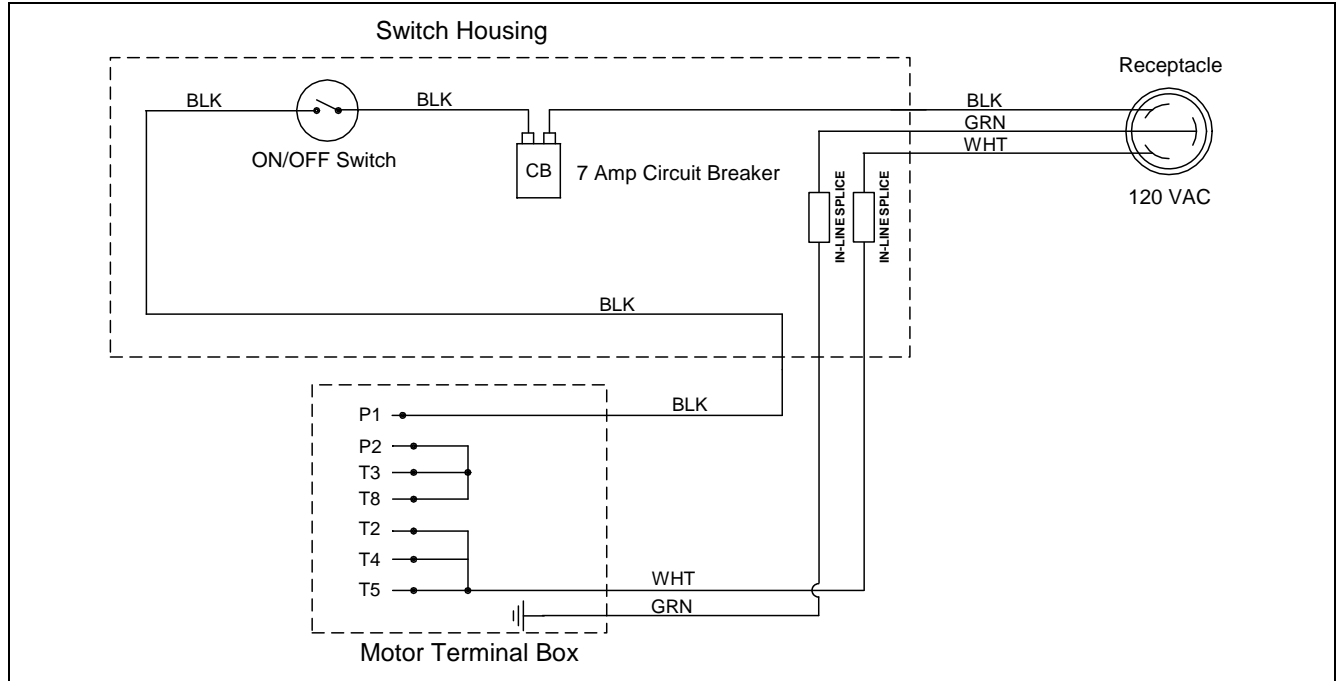
6.2 General Troubleshooting (cont.)



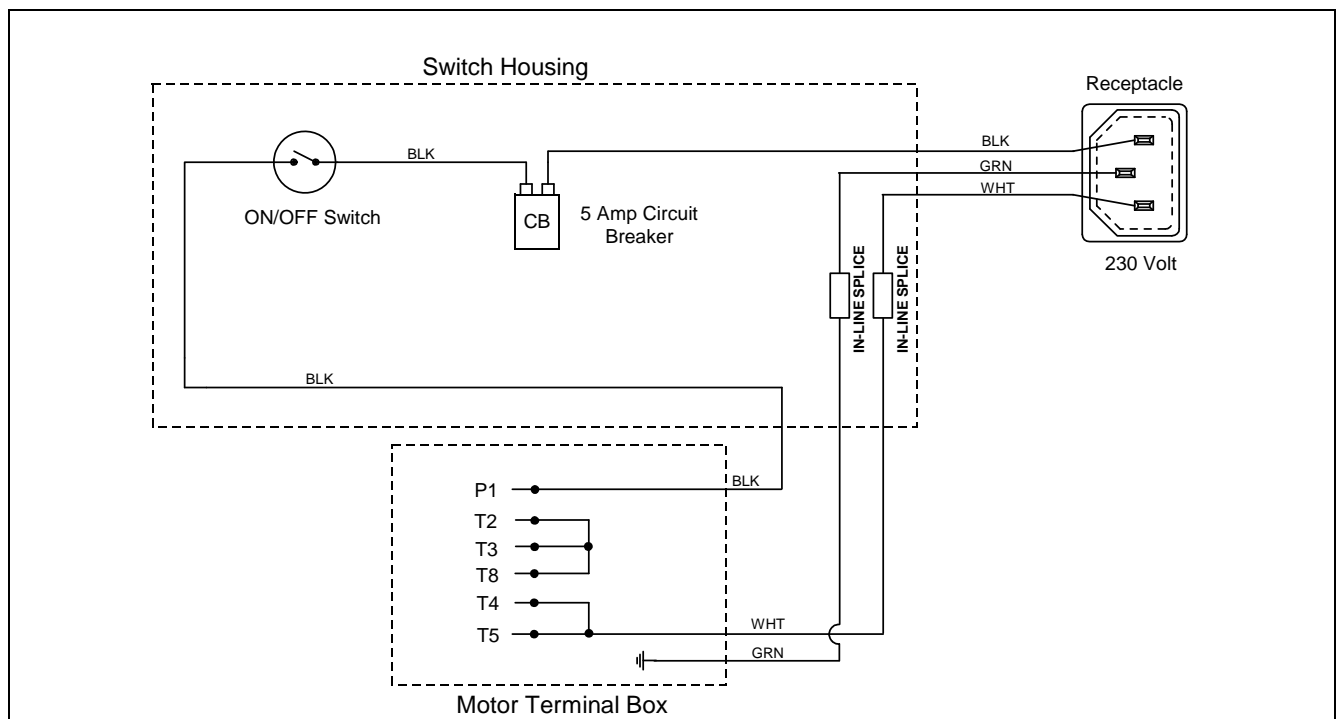
MF90 SERIES PORTABLE FILTRATION SYSTEMS
CHAPTER 6: TROUBLESHOOTING

6.3 Wiring Diagrams

6.3.1 MF90U 120V Wiring



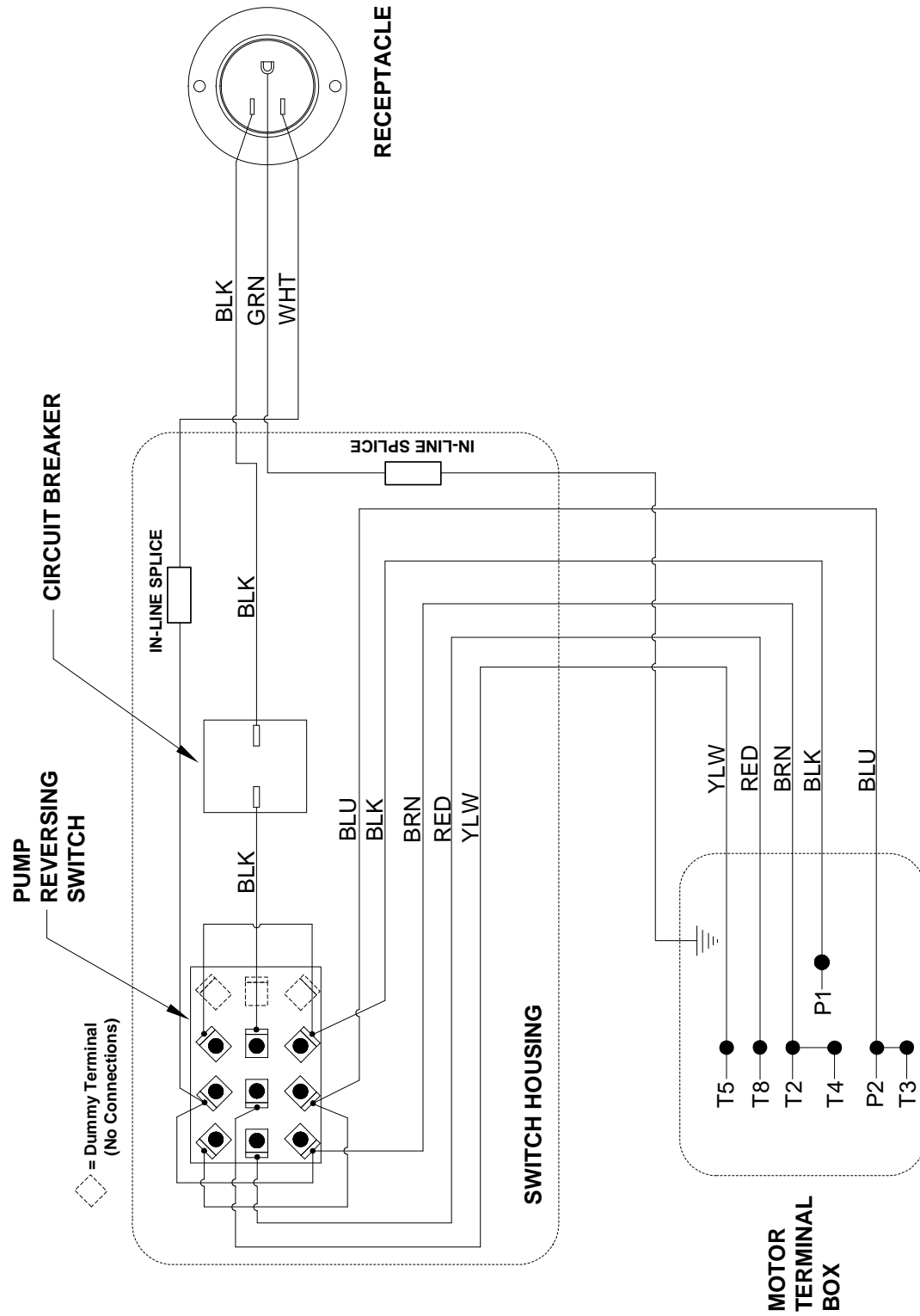
6.3.2 MF90U 230V Wiring



MF90 SERIES PORTABLE FILTRATION SYSTEMS

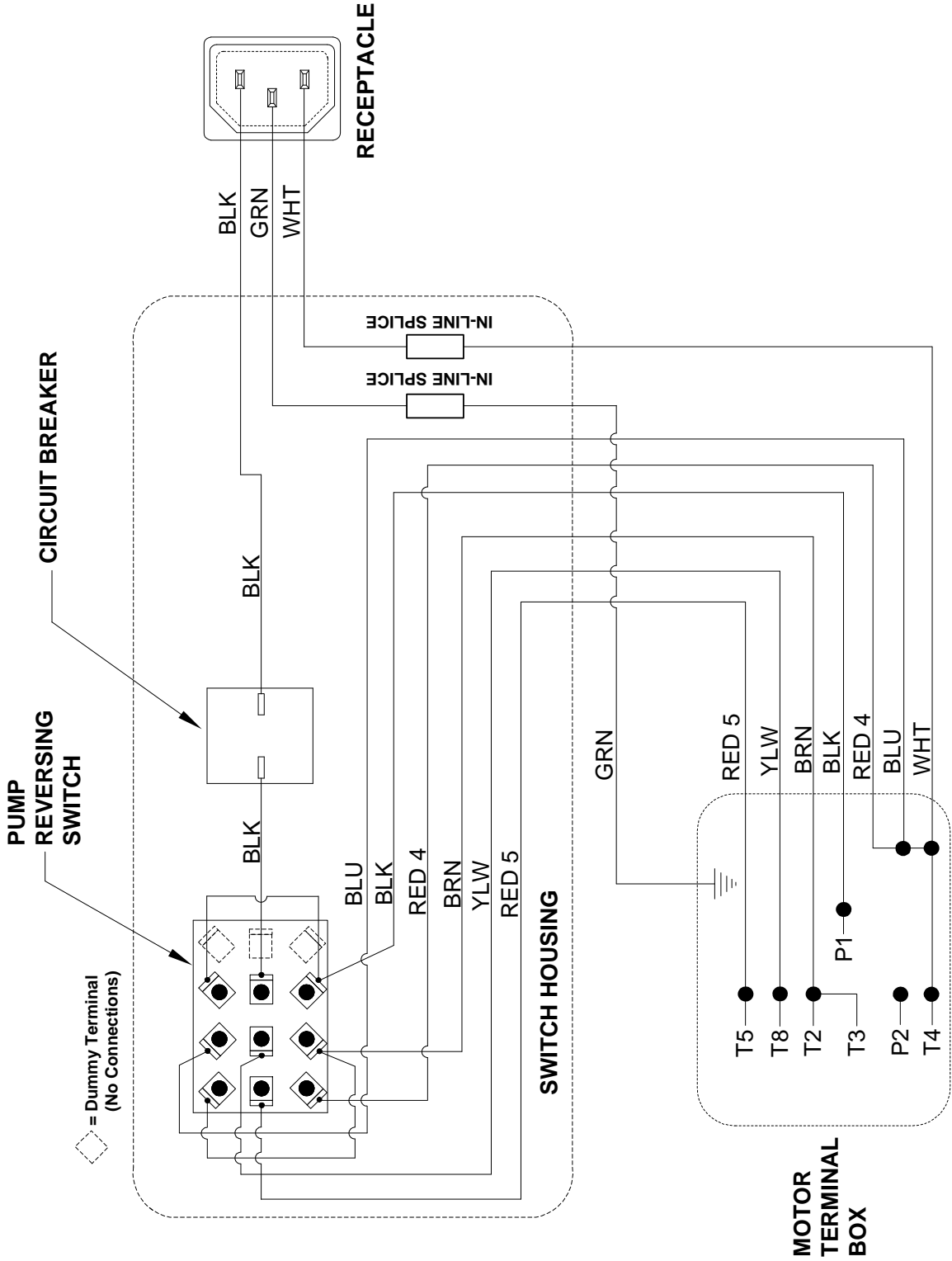
CHAPTER 6: TROUBLESHOOTING

6.3.3 MF90AU 120V Wiring



**MF90 SERIES PORTABLE FILTRATION SYSTEMS
CHAPTER 6: TROUBLESHOOTING**

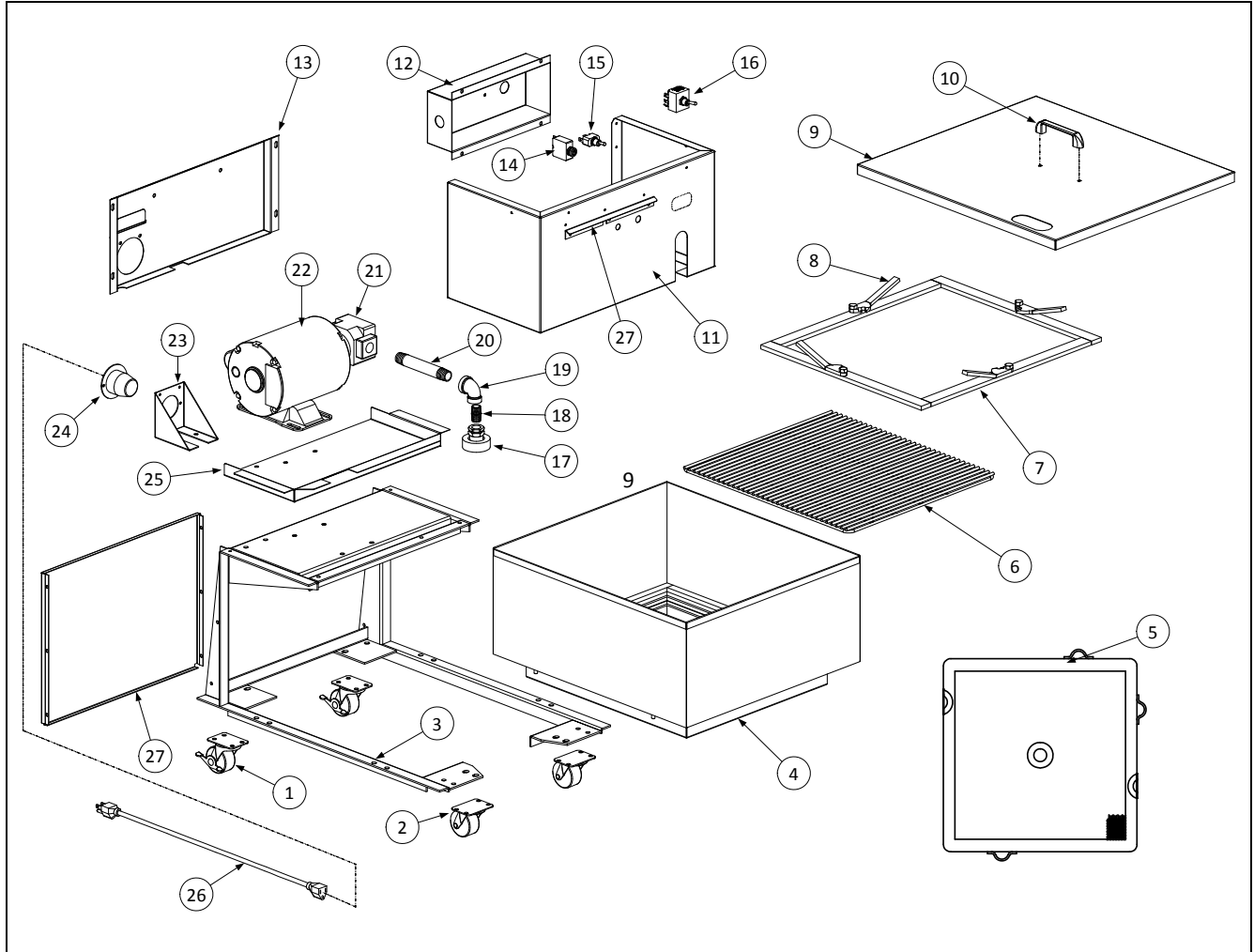
6.3.4 MF90AU 230V Wiring



MF90 SERIES PORTABLE FILTRATION SYSTEMS

CHAPTER 7: PARTS LIST

7.1 Main Components



Item	Part #	Description
1	810-2806	Caster, Rear- Locking- 2" Swivel
2	810-2805	Caster, Front- Non-Locking 2" Swivel
3	823-3584	Frame, Filter- MF90/80 Series
*	823-3613	Frame, Filter MF90/80 LP Series
*	823-3606	Frame, Filter MF90/110 Series
* Not Illustrated		

MF90 SERIES PORTABLE FILTRATION SYSTEMS
CHAPTER 7: PARTS LIST

7.1 Main Components (cont.)

Item	Part #	Description
4	823-3585	Pan, Filter- MF90/80 "U"
*	823-3604	Pan, Filter- MF 90/80 "AU"
*	823-3680	Pan, Filter- MF 90/80 LP "U"
*	823-3822	Pan, Filter- MF 90/80 LP "AU"
*	823-3607	Pan, Filter- MF 90/110 "U"
*	823-3609	Pan, Filter, UMF90A, Filter Leaf option
*	809-0070	Nut, ¼-20 Hex SS (Filter Pan to Frame- 4 Required)
*	809-0190	Washer, .625 x .275 x 40 Flat SS (Use With 809-0070)
5	810-2744	Leaf Filter, 13.25 x 13.25
6	823-3173	Screen, Paper Support- MF90/80 & 110
*	823-3616	Screen, Paper Support- MF90/80 LP
7	106-2015SP	Ring, Hold-down Assembly- MF90/80 & 110
*	106-2032SP	Ring, Hold-down Assembly- MF90/80 LP
*	823-3670	Ring, Hold-down- MF90/80 & 110 (Without Handles)
*	823-3671	Ring, Hold-down- MF90/80 LP (Without Handles)
8	810-2108	Handle, Latch (4 Required)
*	809-0808	Screw, Shoulder- 5/16-18 x 0.803" (For Latch Handles)
9	210-2958	Lid, Filter Pan- MF90/80 & 110
*	106-1825	Lid, Filter Pan MF90/80 Leaf Filter Option
*	210-1883	Lid, Filter Pan- MF90/80 LP
10	810-0180	Handle, Chrome- Pan Lid
*	809-0918	Screw, #10-24 x ½" (Pan Lid Handle)
*	809-0191	Washer, ¼" Spring
11	823-3962	Housing, Top- Motor/Component
12	200-1542	Housing, Switch
13	823-3590	Back, Motor Housing
14	807-3577	Breaker, Circuit- 7 Amp (120VAC)
*	807-3538	Breaker, Circuit- 5 Amp (230VAC)
15	807-1041	Switch, Toggle- On/Off SPST- "U" Series Only
16	807-1040	Switch, Hesitation Toggle- 3-Way- "AU" Series Only
17	106-1831SP	Disconnect, Quick Assembly- 3/8"
18	813-0772	Nipple, 3/8" NPT x Close- SS
19	813-0691	Elbow, ½ x 3/8" Chrome-Plated
20	813-0761	Nipple, ½ NPT x 5" SS

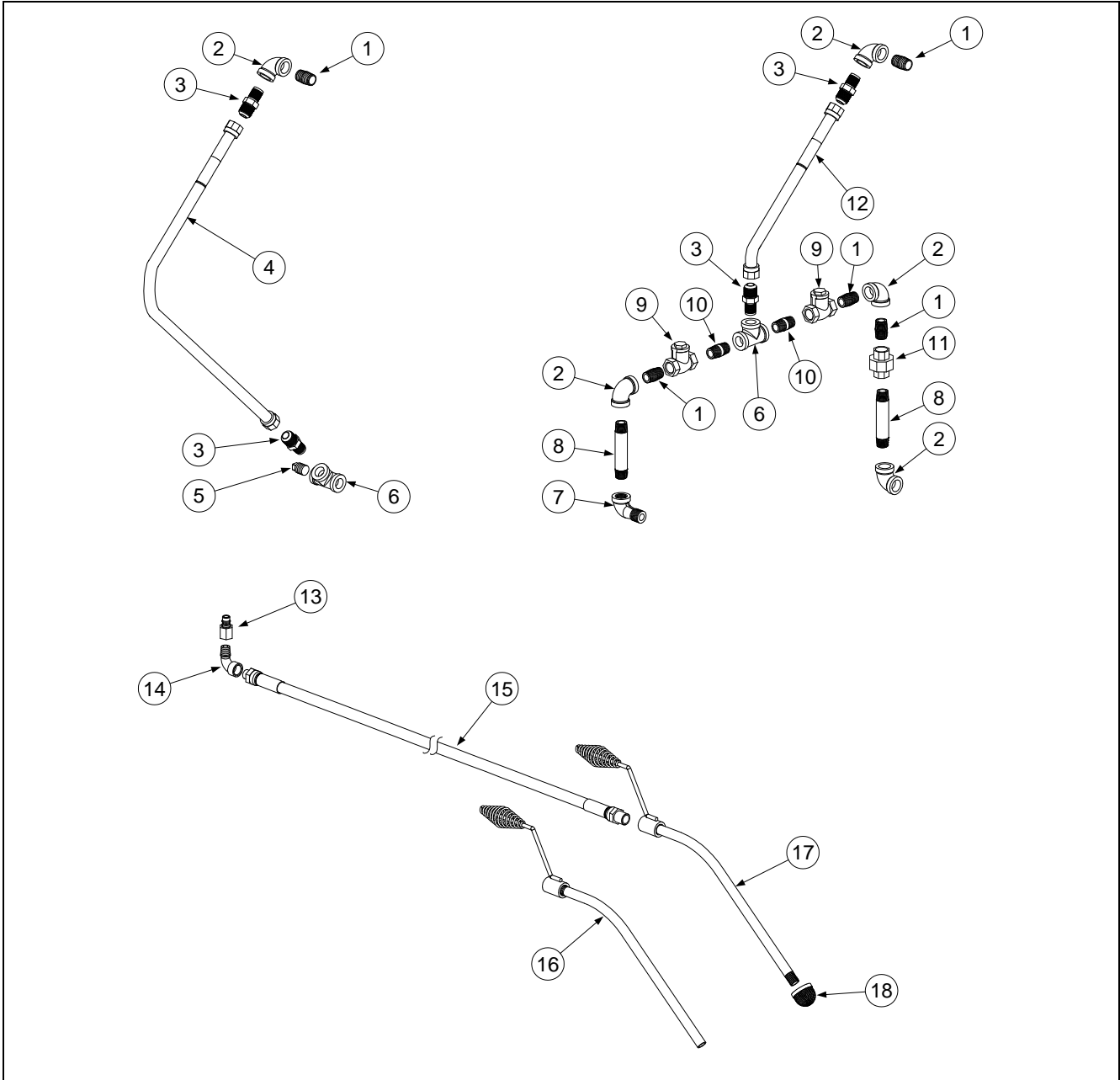
**MF90 SERIES PORTABLE FILTRATION SYSTEMS
CHAPTER 7: PARTS LIST**

7.1 Main Components (cont.)

Item	Part #	Description
21	810-2252	Pump, Filter- 5GPM
22	810-2100	Motor, Filter Pump- 115/230V 1/3 HP
*	807-3689	Harness, Wire- Receptacle To Motor
*	807-3752	Harness, Wire- Motor To Switch/Circuit Breaker
23	210-2955	Bracket, Receptacle Mount- 120V Units Only
*	210-3818	Bracket, Receptacle Mount- 230V Units Only
24	807-1219	Receptacle, 120 VAC Three-Wire
*	807-3795	Receptacle, 230 VAC Three-Wire
25	200-1588	Tray, Pump and Motor
26	807-1224	Cordset, 120V Filter
*	807-3831	Connector, Export Plug- 230V (Cord Not Included)
27	210-3324	Cover, Rear
28	210-1570	Cover, Switch/Circuit Breaker
* Not Illustrated		

MF90 SERIES PORTABLE FILTRATION SYSTEMS
CHAPTER 7: PARTS LIST

7.2 Plumbing, Oil-Return Components and Accessories



**MF90 SERIES PORTABLE FILTRATION SYSTEMS
CHAPTER 7: PARTS LIST**

7.2 Plumbing, Oil-Return Components and Accessories (cont.)

Item	Part #	Description
1	813-0022	Nipple, ½" NPT x Close
2	813-0062	Elbow, ½" NPT 90°
3	810-1668	Adapter, Male- 5/8 O.D. x ½" (Flexline to NPT)
4	810-1400	Flexline, 5/8 x 21" ("U" Series Only)
5	813-0629	Plug, ½" NPT Square Head
6	813-0003	Tee, ½" NPT
7	813-0165	Elbow, Street- ½" NPT BM ("AU" Series Only)
8	813-0093	Nipple, ½ x 4" NPT BM ("AU" Series Only)
9	810-0430	Valve, Swing Check- ("AU" Series Only)
10	813-0087	Nipple, ½ x 1-½" NPT BM ("AU" Series Only)
11	813-0173	Union, ½" NPT BM
12	810-1067	Flexline, 5/8 x 8-½" ("AU" Series Only)
13	810-2172	Connector, Disconnect- Male
14	813-0632	Elbow, Street- 3/8" 90°
15	810-2113	Hose, ½ x 3/8" Fittings- 61-½" Long
*	810-2245	Hose Assy, 16-3/4, Filter Leaf Option
16	106-1454SP	Wand, Hose- MF90 "U" Series Only
17	106-2149SP	Wand, Hose- MF90 "AU" Series Only
18	810-2066	Screen, Hose Wand- MF90 "AU" Series Only
*	803-0284	Filter Paper, 16-3/8 x 24-3/8"- 100 Sheets (MF90/80 LP Units Only)
*	803-0285	Filter Paper, 16-3/8 x 18-3/8"- 100 Sheets (MF90/80 and 110 Units Only)
*	803-0002	Filter Powder, Carton
* Not Illustrated		

Dean[®]



Shipping Address: 8700 Line Avenue, Shreveport, Louisiana 71106

TEL 1-318-865-1711

PRINTED IN THE UNITED STATES

**819-5934
12/2017**